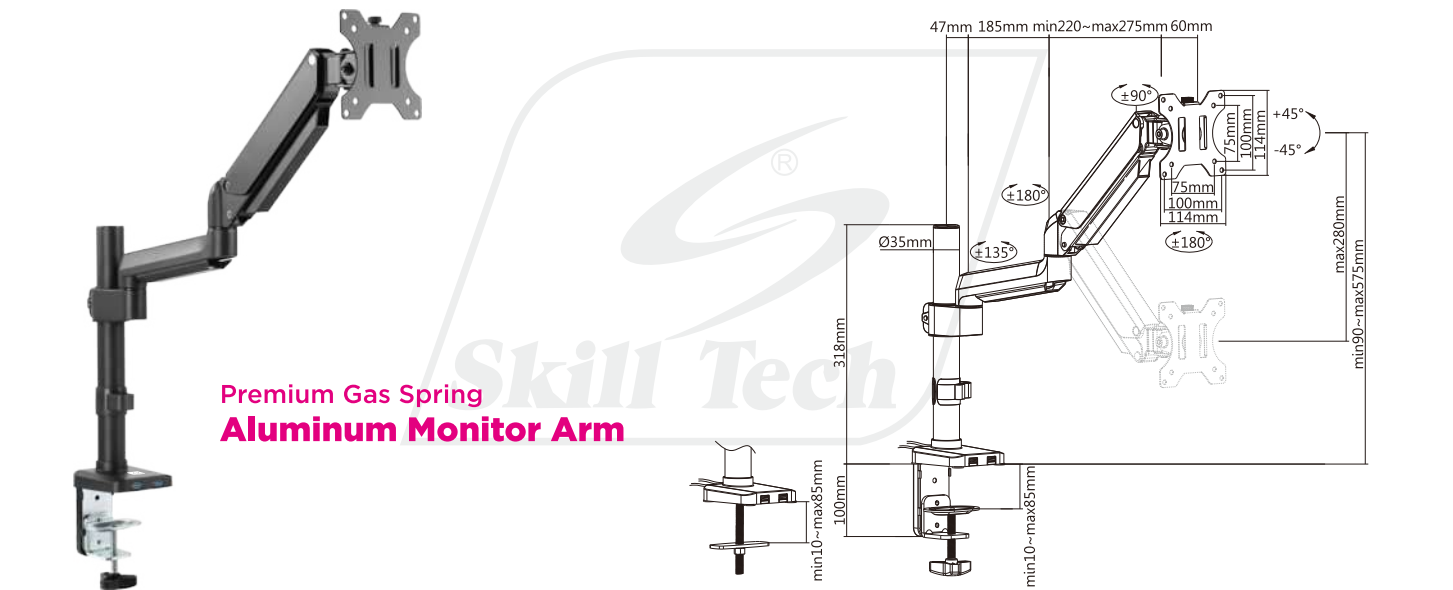


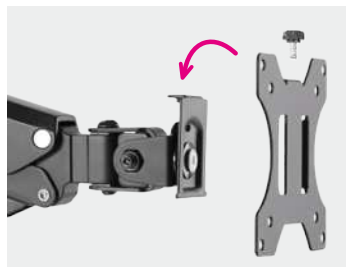
SHT26-C012UP

Counterbalance Monitor Arm

Fits most 17"-32" Flat & Curved Monitors



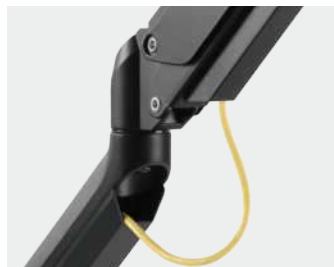
- Screen Size 17"-32"
- VESA Compatible 75x75 100x100
- Weight Capacity RATED 1.5-8kg
- Tilt Range +45° - -45°
- Swivel Range +90° - -90°
- Screen Rotation +180° - -180°
- Detachable VESA Plate
- Cable Management
- Curved Monitor
- Clamp & Grommet Installation



Detachable VESA Panel makes installations quick easy.



Adjustable Gas Spring Tension able to bear most types of monitor.



Built-in Cable Management create a clean look by eliminating cable clutter.



Clamp & Grommet Installation accommodate more users.